

## **AFTERCARE INSTRUCTIONS**

Your fitting has a high quality finish and should be treated with care to preserve the visible surfaces.

All surface finishes will wear if not cleaned correctly, the only safe way to clean your mixer is to wipe with a soft damp cloth. Stains can be removed using washing up liquid. All bath cleaning powders and liquids will damage the surface of your fitting, even the non-scratch cleaners.

## **GUARANTEE**

All products are manufactured to the highest standards and a 5 year guarantee covers any defect in manufacture.

As gold and special effect finishes are softer than chromium plate, special care must be taken when cleaning, a 3 year guarantee covers these finishes.

**NOTE: The 5-year guarantee on the cartridge is invalidated if damaged by any waterborne debris.**

In the interests of continuous product development we reserve the right to alter specification as necessary

**PRODUCT CODE:**

**PLEASE ENTER YOUR PRODUCT CODE ABOVE IN THE BOX PROVIDED, WHICH WILL BE REQUIRED FOR ANY FUTURE CORRESPONDENCE REGARDING THIS PRODUCT**

**PRODUCT IDENTIFICATION CODE LASER ETCHED ON PRODUCT**

Installer please fill in code here \_\_\_\_\_.

TELEPHONE HELPLINE! +44 (0)844 701 6273

Bristan Group Limited  
Birch Coppice Business Park  
Dordon  
Tamworth  
Staffordshire  
B78 1SG  
UK  
A Masco Company  
Website: [www.bristan.com](http://www.bristan.com)  
Telephone: +44 (0) 844 701 6274  
Facsimile: +44 (0) 844 701 6275

# BRISTAN

## **Basin , Bath And Sink Taps**

## **Fitting Instructions**



Before starting any installation project, consider 'safety' first. Look for the 'safety note' and read the safety advice.

**Please keep these instructions for future reference and request of replacement part**

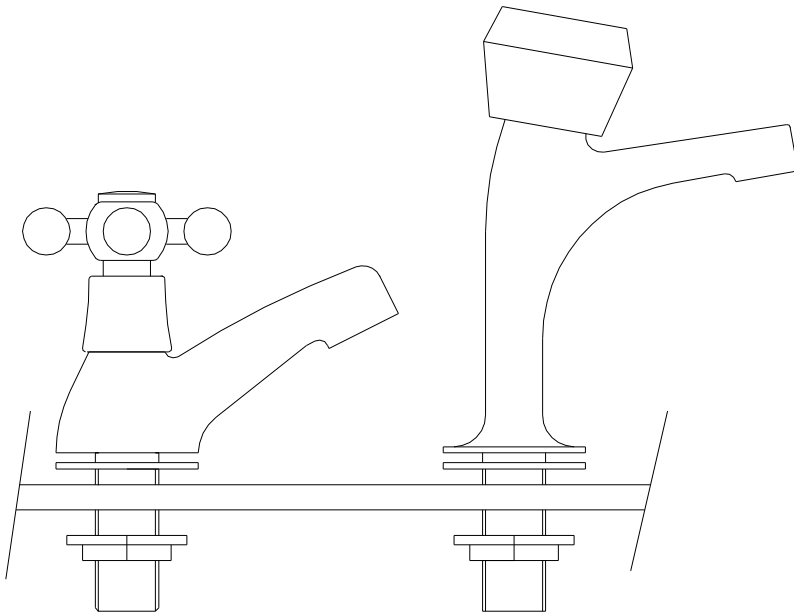
## WATER PRESSURE

These taps are suitable for use at all supply pressures. If the taps are installed at low pressure (tank fed), then the minimum height from the outlet of the nozzle to the underside of the cold tank should be approximately 2 metres to ensure adequate performance.

These taps should be installed in compliance with Water Regulations. For further details contact your Local Water Authority.

## INSTALLATION

1. Identify all components and check for completeness, particularly before arranging Fitting.
2. Install the taps into the basin, bath or sink, using the washers and backnuts provided. For those products using handles purchased separately, it may be necessary to disassemble the handles
3. Connect the hot and cold water supplies.
4. Turn on the water supplies. Open both taps letting the water flow for a few Minutes to check all joints and connections for leaks.
5. See over the page for aftercare instructions.



**\* PLEASE NOTE: TAP HEADS SHOWN ARE FOR ILLUSTRATION PURPOSES ONLY.**



Before starting any installation project please consider:

Prior to drilling into walls, check there are no hidden electrical wires, cables or water supply pipes with the aid of an electronic detector. If you use power tools do not forget:

- Wear eye protection
- Unplug equipment after use

## MAINTENANCE

**Traditional valve type:** - If the fitting leaks from the spindle

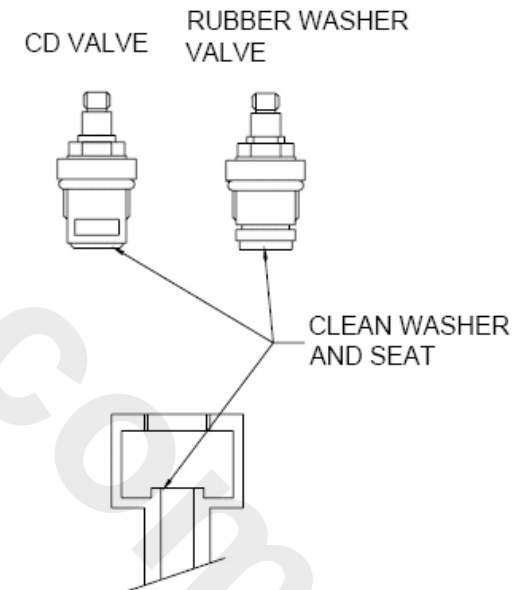
1. Remove fitting head and shroud (if necessary).
2. Tighten gland nut as shown in diagram.

**Sureflow type valves:** - If the fitting self-opens

1. Remove fitting head.
2. Tighten gland nut on top of valve.

**All valve types:** - If the fitting begins to drip

1. Turn off the water supply.
2. Remove fitting head and valve.
3. Carefully clean seating and rubber washer.
4. Replace valve and turn on the water supply.
5. Contact our helpline quoting product code if problem persists.



**Please Note:** In the unlikely event you find a part missing please contact our Customer Service Help line on **0844 701 6273** for immediate dispatch of part.